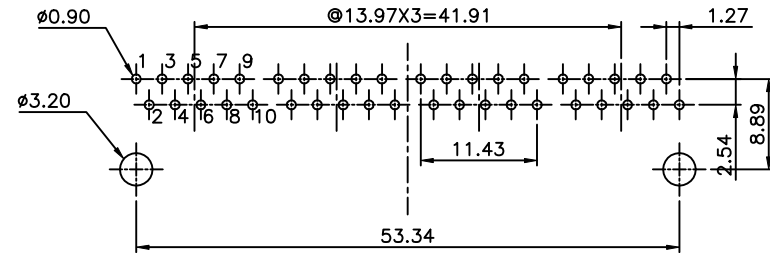
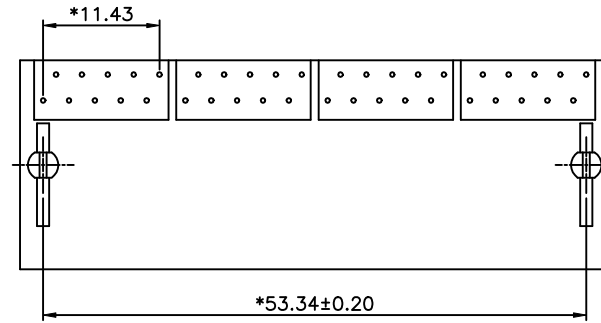
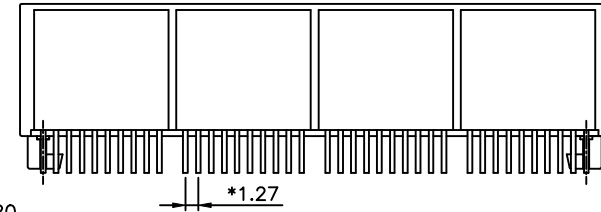
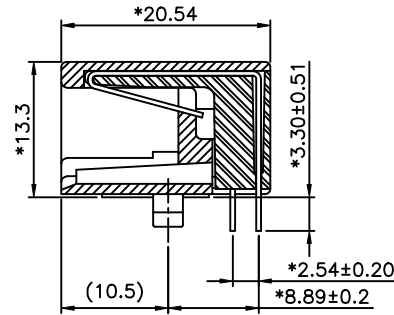
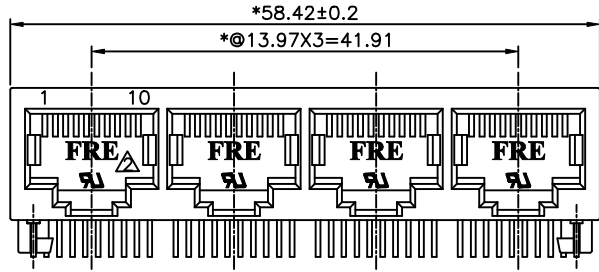


REVISION RECORD				
REV	ECO	DESCRIPTION	DRFT	CHKD
△		ADD PART NO	YUNGER 12/29/99	
△		MODIFY DRAWING	YOUNG 12/20/02	
△		MODIFY PART NO.	Qianpu 12/16/04	



PC Board Layout Component Side Shown

NOTES:

ELECTRICAL:

- 1. VOLTAGE RATING : 125 VAC RMS.
- 2. CURRENT RATING : 1.5 AMP.
- 3. CONTACT RESISTANCE : 40 MILLIOHMS MAX.
- 4. INSULATION RESISTANCE : 1000 MEGOHMS MIN @ 500 VDC.
- 5. DIELECTRIC STRENGTH : 1000 VAC RMS 60Hz, 1MIN.

MECHANICAL:

- 1. HOUSING MATERIAL : GLASS FILLED POLYESTER UL94V-0.
- 2. CONTACT MATERIAL : PHOSPHOR BRONZE Ø0.46mm.
- 3. PLATING : GOLD PLATING OVER NICKEL.
- 4. OPERATING LIFE : 750 CYCLES MIN.
- 5. PCB RETENTION PRE-SOLDER : 1 LB MIN.
- 6. PCB RETENTION POST-SOLDER : 10 LBS MIN.

ENVIRONMENTAL:

- 1. STORAGE : -40°C TO +85°C.
- 2. OPERATION: 0°C TO 70°C.

MATES WITH MODULAR PLUG CONFORMING TO FCC PART 68, SUBPART F.

CUL FILE NO. E163191

PART NUMBER: E590X-00C02X

- | | | |
|----------------|--------|----------------|
| NO. OF CONTACT | 1- 3u" | 2- 6u" |
| 8- 8 CONTACTS | 3-15u" | 4-30u" |
| 1-10 CONTACTS | 5-50u" | 0-GOLD FLASH △ |
| △4-4 CONTACTS | | |

DETACHED LISTS	← MM (INCH) →	DFTO BASS	DATE 7/13/98	FULL RISE ELECTRONIC CO., LTD	
	TOLERANCES EXCEPT AS NOTED	CHKD SH	DATE 2004/12/18		
		MFO	DATE		
		APPVLSMNY	DATE 2004/12/18		
	MM			TITLE	
	.0 ±0.20			20.57 SIDE ENTRY PCB JACK 10P	
	.00 ±0.15			DRAWING NO. GE593005	SIZE A3
	.000 ±0.075			/PART NO. SEE NOTE	REV 3
	ANGLES ±	QT'Y :		DO NOT SCALE DRAWING	SHEET X OF Y
	THIRD ANGLE PROJECTION	FINISH :	SCALE : 2:1		